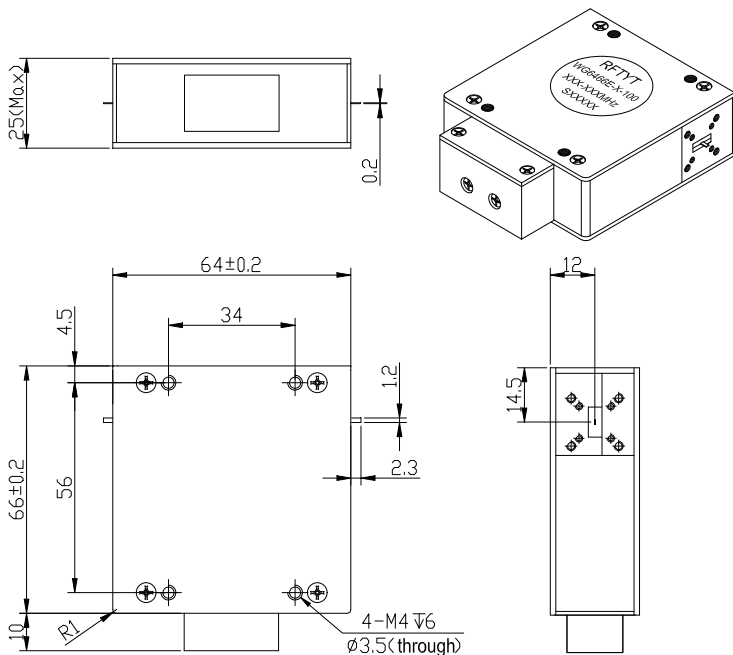
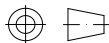




## 100 to 200MHz Drop in Isolator

### WG6466E Drop-In Type

#### Outline Drawing (mm):



#### Features:

- ◇ Good temperature stability
- ◇ Withstand high power
- ◇ RoHS compliant
- ◇ Weight :  $\approx 325$  g

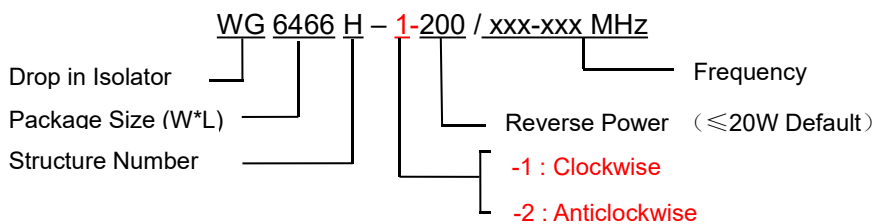
#### Material list:

- ◇ Shell: Steel
- Coating: Bright Nickel
- ◇ Inner conductor: Brass
- Coating: Silver

#### Application:

- ◇ Protect the power amplifier and Installed at the end of RF power amplifier
- ◇ Transceiver common antenna
- ◇ Medical, Communication, Security . VHF.

#### Order Examples :



#### Basic Specifications :

Impedance	50 $\Omega$
Size(mm)	64.0*66.0*24.0
Operating Temp	-10~+60 $^{\circ}$ C
Storage temperature	-30~+70 $^{\circ}$ C

#### Specifications :



Model No. (X=1: →Clockwise) (X=2: ←Anticlockwise)	Freq. Range MHz	IL. dB (max)	Isolation dB (min)	VSWR	Forward Power CW	Reverse Power W	Notes
WG6466E-X/100-105MHz	100-105	0.8	18.0	1.30	300	20/100	
WG6466E-X/105-115MHz	105-115	0.8	18.0	1.30	300	20/100	
WG6466E-X/130-150MHz	130-150	0.6	20.0	1.25	300	20/100	
WG6466E-X/140-160MHz	140-160	0.6	20.0	1.25	300	20/100	
WG6466E-X/150-170MHz	150-170	0.5	20.0	1.25	300	20/100	
WG6466E-X/160-190MHz	160-190	0.7	18.0	1.30	300	20/100	
WG6466E-X/170-200MHz	170-200	0.7	18.0	1.30	300	20/100	

**If the frequency range you need is not covered in the form.  
Please contact us for details.**