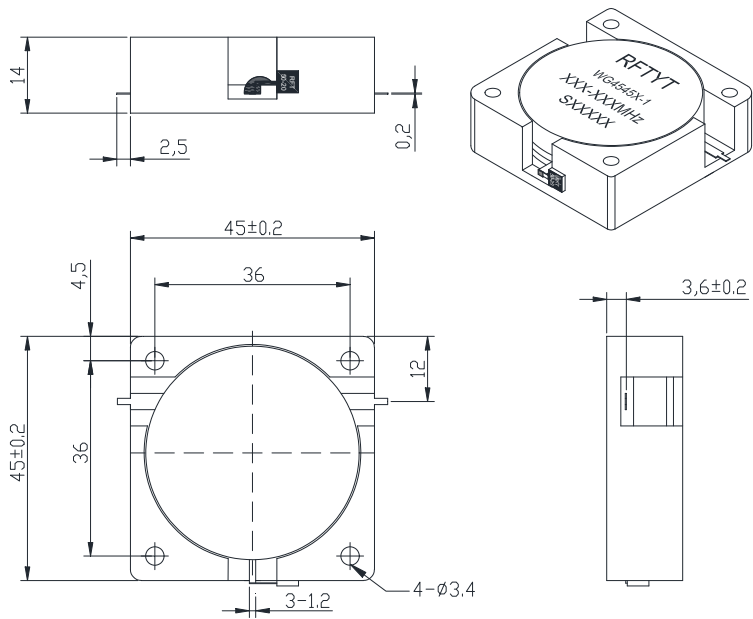
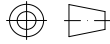




## 250 to 1400MHz Drop in Isolator

### WG4545X Drop-In Type

#### Outline Drawing (mm):



#### Features:

- ◇ Good temperature stability
- ◇ Withstand high power
- ◇ RoHS compliant
- ◇ Weight : ≈ 160 g

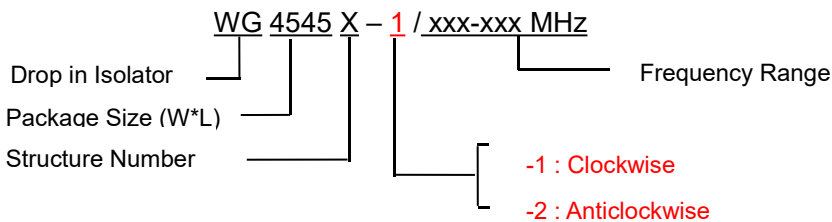
#### Material list:

- ◇ Shell: Steel
- Coating: Bright Nickel
- ◇ Inner conductor: Brass
- Coating: Silver

#### Application:

- ◇ Protect the power amplifier and Installed at the end of RF power amplifier
- ◇ Transceiver common antenna
- ◇ Medical, Communication, Security . VHF.

#### Order Examples:



#### Basic Specifications:

Impedance	50 Ω
Size(mm)	45.0*45.0*14.0
Operating Temp	-30~+70 °C / -40~+85 °C
Storage temperature	-50~+90 °C



## Specifications:

Model No. (X=1: →Clockwise) (X=2: ←Anticlockwise)	Freq. Range MHz	IL. dB (max)	Isolation dB (min)	VSWR	Forward Power CW	Reverse Power W
WG4545X-X/250-300MHz	250-300	0.60	20.0	1.25	100	20
WG4545X-X/280-310MHz	280-310	0.30	23.0	1.20	100	20
WG4545X-X/285-295MHz	285-295	0.30	23.0	1.20	100	20
WG4545X-X/289-359MHz	289-359	0.50	19.0	1.25	100	20
WG4545X-X/290-310MHz	290-310	0.30	23.0	1.20	100	20
WG4545X-X/292-332MHz	292-332	0.40	20.0	1.25	100	20
WG4545X-X/300-350MHz	300-350	0.50	20.0	1.25	100	20
WG4545X-X/300-400MHz	300-400	0.60	18.0	1.30	100	20
WG4545X-X/300-420MHz	300-420	0.80	16.0	1.40	100	20
WG4545X-X/320-412MHz	320-412	0.80	18.0	1.40	100	20
WG4545X-X/345-415MHz	345-415	0.60	20.0	1.25	100	20
WG4545X-X/350-400MHz	350-400	0.35	20.0	1.20	100	20
WG4545X-X/350-470MHz	350-470	0.50	19.0	1.25	100	20
WG4545X-X/350-500MHz	350-500	0.70	16.0	1.40	100	20
WG4545X-X/360-440MHz	360-440	0.45	20.0	1.25	100	20
WG4545X-X/360-470MHz	360-470	0.50	20.0	1.25	100	20
WG4545X-X/375-415MHz	375-415	0.40	20.0	1.25	100	20
WG4545X-X/380-480MHz	380-480	0.50	18.0	1.30	100	20
WG4545X-X/400-430MHz	400-430	0.25	25.0	1.15	100	20
WG4545X-X/400-500MHz	400-500	0.50	18.0	1.30	100	20
WG4545X-X/400-512MHz	400-512	0.50	18.0	1.30	100	20
WG4545X-X/400-550MHz	400-550	0.60	18.0	1.30	100	20
WG4545X-X/412-512MHz	412-512	0.50	18.0	1.30	100	20
WG4545X-X/440-470MHz	440-470	0.25	25.0	1.15	100	20
WG4545X-X/450-600MHz	450-600	0.50	18.0	1.30	100	20
WG4545X-X/460-605MHz	460-605	0.50	18.0	1.30	100	20



Model No. (X=1: →Clockwise) (X=2: ←Anticlockwise)	Freq. Range MHz	IL. dB (max)	Isolation dB (min)	VSWR	Forward Power CW	Reverse Power W
WG4545X-X/470-520MHz	470-520	0.40	20.0	1.25	100	20
WG4545X-X/470-610MHz	470-610	0.50	18.0	1.30	100	20
WG4545X-X/470-650MHz	470-650	0.60	18.0	1.30	100	20
WG4545X-X/500-700MHz	500-700	0.60	18.0	1.30	100	20
WG4545X-X/520-570MHz	520-570	0.30	23.0	1.20	100	20
WG4545X-X/570-610MHz	570-610	0.30	23.0	1.20	100	20
WG4545X-X/600-900MHz	600-900	0.80	15.0	1.50	100	20
WG4545X-X/610-960MHz	610-960	0.80	15.0	1.50	100	20
WG4545X-X/620-862MHz	620-862	0.50	20.0	1.25	100	20
WG4545X-X/690-1000MHz	690-1000	0.60	18.0	1.30	100	20
WG4545X-X/698-960MHz	698-960	0.50	20.0	1.25	100	20
WG4545X-X/698-1000MHz	698-1000	0.60	18.0	1.30	100	20
WG4545X-X/700-1000MHz	700-1000	0.60	19.0	1.25	100	20
WG4545X-X/760-1010MHz	760-1010	0.50	20.0	1.25	100	20
WG4545X-X/800-900MHz	800-900	0.30	23.0	1.20	100	20
WG4545X-X/800-1000MHz	800-1000	0.50	20.0	1.25	100	20
WG4545X-X/800-1200MHz	800-1200	0.60	16.0	1.40	100	20
WG4545X-X/806-960MHz	806-960	0.30	23.0	1.20	100	20
WG4545X-X/850-1000MHz	850-1000	0.40	20.0	1.25	100	20
WG4545X-X/850-1150MHz	850-1150	0.50	20.0	1.25	100	20
WG4545X-X/1010-1110MHz	1010-1110	0.30	20.0	1.20	100	20
WG4545X-X/1200-1300MHz	1200-1300	0.30	23.0	1.20	100	20
WG4545X-X/1300-1400MHz	1300-1400	0.30	23.0	1.20	100	20

**If the frequency range you need is not covered in the form. Please contact us for details.**