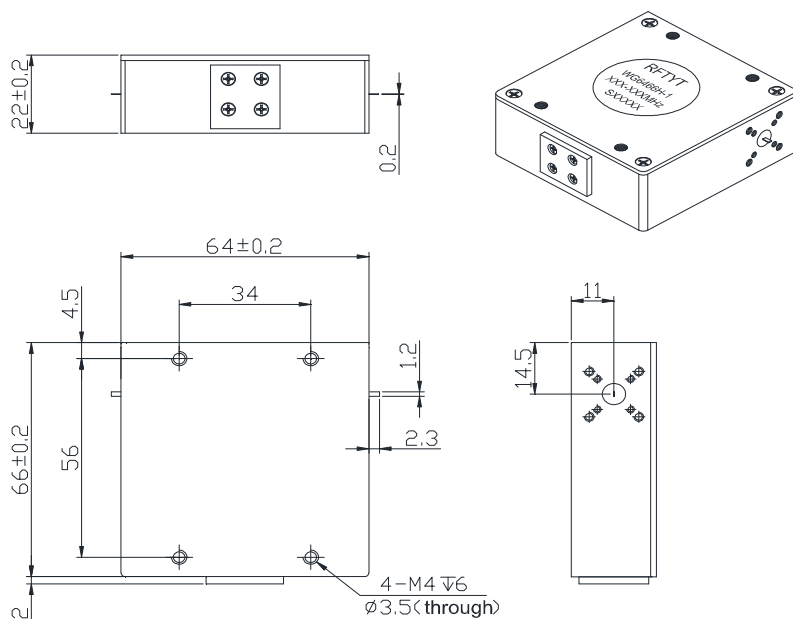
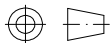


## 30 to 40MHz Drop in Isolator

### WG6466H Drop-In Type

#### Outline Drawing (mm):



#### Features:

- ◇ Good temperature stability
- ◇ Withstand high power
- ◇ RoHS compliant
- ◇ Weight :  $\approx 325$  g

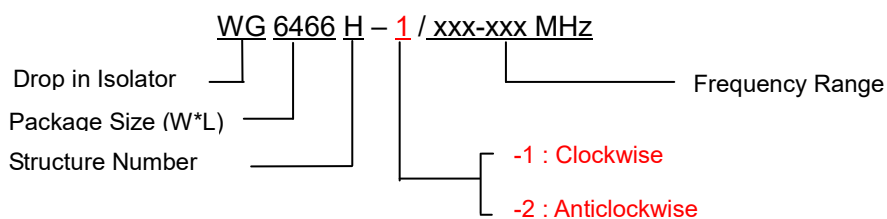
#### Material list:

- ◇ Shell: Steel
- Coating: Bright Nickel
- ◇ Inner conductor: Brass
- Coating: Silver

#### Application:

- ◇ Protect the power amplifier and  
Installed at the end of RF power  
amplifier
- ◇ Transceiver common antenna
- ◇ Medical, Communication, Security .  
VHF.

#### Order Examples :



#### Basic Specifications :

Impedance	50 $\Omega$
Size(mm)	64.0*66.0*22.0
Operating Temp	-30~+70 $^{\circ}$ C/-40~+85 $^{\circ}$ C
Storage temperature	-50~+90 $^{\circ}$ C



Specifications:

<b>Model No.</b> (X=1: →Clockwise) (X=2: ←Anticlockwise)	<b>Freq. Range</b> <b>MHz</b>	<b>IL.</b> <b>dB (max)</b>	<b>Isolation</b> <b>dB (min)</b>	<b>VSWR</b>	<b>Forward</b> <b>Power</b> <b>CW</b>	<b>Reverse</b> <b>Power</b> <b>W</b>
WG6466H-X/30-31MHz	30.0-31.0	2.0	18.0	1.30	50	20/50
WG6466H-X/31-32MHz	31.0-32.0	1.9	18.0	1.30	50	20/50
WG6466H-X/32-33MHz	32.0-33.0	1.8	18.0	1.30	50	20/50
WG6466H-X/33-34MHz	33.0-34.0	1.8	18.0	1.30	50	20/50
WG6466H-X/34-35MHz	34.0-35.0	1.7	18.0	1.30	50	20/50
WG6466H-X/35-37MHz	35.0-37.0	1.6	18.0	1.30	50	20/50
WG6466H-X/37-39MHz	37.0-39.0	1.6	18.0	1.30	50	20/50
WG6466H-X/38-40MHz	38.0-40.0	1.5	20.0	1.25	50	20/50

**If the frequency range you need is not covered in the form.  
Please contact us for details.**