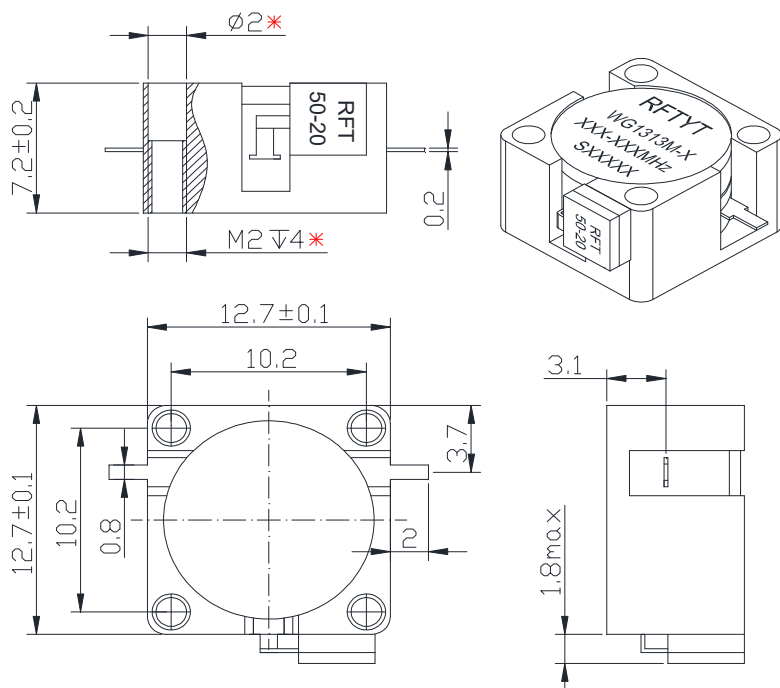


800 to 7000MHz Drop in Isolator

WG1313M Drop-In Type

Outline Drawing (mm):



Features:

- ◇ Good temperature stability
- ◇ Withstand high power
- ◇ RoHS compliant
- ◇ Weight : ≈ 6 g

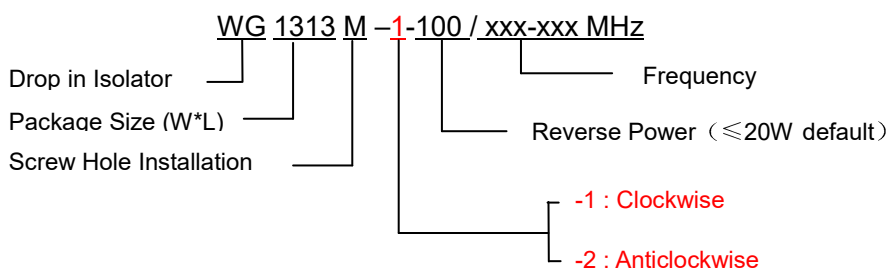
Material list:

- ◇ Cavity: aluminum conductive oxidation
- ◇ Outer shell: industrial pure iron nickel plating
- ◇ Guide body: Silver plated brass
- ◇ Load chamber: aluminum conductive oxidation

Application:

- ◇ Rf amplifier final stage, protect the amplifier
- ◇ Common transceiver antenna
- ◇ High capacity microwave relay communication

Order Examples :



Basic Specifications :

| | |
|---------------------|-------------------|
| Impedance | 50 Ω |
| Size(mm) | 12.7*12.7*7.2 |
| Operating Temp | -30~+70℃/-40~+85℃ |
| Storage temperature | -50~+90 ℃ |



Specifications:

| Model No. (X=1: →Clockwise) (X=2: ←Anticlockwise) | Freq. Range MHz | IL dB (max) | Isolation dB (min) | VSWR | Forward Power CW | Reverse Power W |
|--|----------------------------------|--|-------------------------------------|-------------|---|--|
| WG1313M-X/800-830MHz | 800-830 | 0.40 | 20.0 | 1.25 | 60 | 20 |
| WG1313M-X/930-960MHz | 930-960 | 0.40 | 20.0 | 1.25 | 60 | 20 |
| WG1313M-X/1230-1250MHz | 1230-1250 | 0.40 | 20.0 | 1.25 | 60 | 20 |
| WG1313M-X/1285-1315MHz | 1285-1315 | 0.30 | 23.0 | 1.20 | 60 | 20 |
| WG1313M-X/1330-1390MHz | 1330-1390 | 0.50 | 19.0 | 1.25 | 60 | 20 |
| WG1313M-X/1427-1517MHz | 1427-1517 | 0.40 | 18.0 | 1.30 | 60 | 20 |
| WG1313M-X/1565-1585MHz | 1565-1585 | 0.30 | 23.0 | 1.20 | 60 | 20 |
| WG1313M-X/1610-1620MHz | 1610-1620 | 0.30 | 23.0 | 1.20 | 60 | 20 |
| WG1313M-X/1710-1785MHz | 1710-1785 | 0.40 | 20.0 | 1.25 | 60 | 20 |
| WG1313M-X/1805-1880MHz | 1805-1880 | 0.40 | 20.0 | 1.25 | 60 | 20 |
| WG1313M-X/1805-1920MHz | 1805-1920 | 0.50 | 19.0 | 1.25 | 60 | 20 |
| WG1313M-X/1880-1920MHz | 1880-1920 | 0.30 | 23.0 | 1.20 | 60 | 20 |
| WG1313M-X/1920-1990MHz | 1920-1990 | 0.30 | 23.0 | 1.20 | 60 | 20 |
| WG1313M-X/2110-2170MHz | 2110-2170 | 0.30 | 23.0 | 1.20 | 60 | 20 |
| WG1313M-X/2200-2400MHz | 2200-2400 | 0.40 | 20.0 | 1.25 | 60 | 20 |
| WG1313M-X/2300-2400MHz | 2300-2400 | 0.30 | 23.0 | 1.20 | 60 | 20 |
| WG1313M-X/2300-2500MHz | 2300-2500 | 0.40 | 20.0 | 1.25 | 60 | 20 |
| WG1313M-X/2400-2500MHz | 2400-2500 | 0.30 | 23.0 | 1.20 | 60 | 20 |
| WG1313M-X/2400-2600MHz | 2400-2600 | 0.40 | 20.0 | 1.25 | 60 | 20 |
| WG1313M-X/2496-2690MHz | 2496-2690 | 0.40 | 20.0 | 1.25 | 60 | 20 |
| WG1313M-X/2500-2700MHz | 2500-2700 | 0.40 | 20.0 | 1.25 | 60 | 20 |
| WG1313M-X/2670-2690MHz | 2670-2690 | 0.30 | 23.0 | 1.20 | 60 | 20 |
| WG1313M-X/2700-2900MHz | 2700-2900 | 0.30 | 20.0 | 1.25 | 60 | 20 |
| WG1313M-X/2700-3100MHz | 2700-3100 | 0.40 | 19.0 | 1.25 | 60 | 20 |
| WG1313M-X/2900-3100MHz | 2900-3100 | 0.30 | 20.0 | 1.25 | 60 | 20 |



| Model No. (X=1: →Clockwise) (X=2: ←Anticlockwise) | Freq. Range MHz | IL dB (max) | Isolation dB (min) | VSWR | Forward Power CW | Reverse Power W |
|---|--------------------|-------------------|-----------------------|------|------------------------|-----------------------|
| WG1313M-X/2900-3300MHz | 2900-3300 | 0.40 | 20.0 | 1.25 | 60 | 20 |
| WG1313M-X/3100-3500MHz | 3100-3500 | 0.40 | 20.0 | 1.25 | 60 | 20 |
| WG1313M-X/3100-3600MHz | 3100-3600 | 0.50 | 19.0 | 1.25 | 60 | 20 |
| WG1313M-X/3250-3450MHz | 3250-3450 | 0.30 | 20.0 | 1.20 | 60 | 20 |
| WG1313M-X/3300-3500MHz | 3300-3500 | 0.30 | 20.0 | 1.20 | 60 | 20 |
| WG1313M-X/3300-3600MHz | 3300-3600 | 0.30 | 20.0 | 1.20 | 60 | 20 |
| WG1313M-X/3500-3650MHz | 3500-3650 | 0.30 | 23.0 | 1.20 | 60 | 20 |
| WG1313M-X/3700-4000MHz | 3700-4000 | 0.30 | 20.0 | 1.20 | 60 | 20 |
| WG1313M-X/3700-4200MHz | 3700-4200 | 0.50 | 18.0 | 1.30 | 60 | 20 |
| WG1313M-X/4200-4400MHz | 4200-4400 | 0.30 | 23.0 | 1.20 | 60 | 20 |
| WG1313M-X/4400-4520MHz | 4400-4520 | 0.30 | 23.0 | 1.20 | 60 | 20 |
| WG1313M-X/4400-5000MHz | 4400-5000 | 0.50 | 19.0 | 1.25 | 60 | 20 |
| WG1313M-X/4800-5000MHz | 4800-5000 | 0.30 | 23.0 | 1.20 | 60 | 20 |
| WG1313M-X/5000-5500MHz | 5000-5500 | 0.40 | 20.0 | 1.25 | 60 | 20 |
| WG1313M-X/5000-6000MHz | 5000-6000 | 0.50 | 18.0 | 1.30 | 60 | 20 |
| WG1313M-X/5100-5800MHz | 5100-5800 | 0.45 | 19.0 | 1.25 | 60 | 20 |
| WG1313M-X/5100-5900MHz | 5100-5900 | 0.50 | 18.0 | 1.30 | 60 | 20 |
| WG1313M-X/5200-5900MHz | 5200-5900 | 0.45 | 19.0 | 1.25 | 60 | 20 |
| WG1313M-X/5200-6200MHz | 5200-6200 | 0.50 | 18.0 | 1.30 | 60 | 20 |
| WG1313M-X/5300-5900MHz | 5300-5900 | 0.40 | 20.0 | 1.25 | 60 | 20 |
| WG1313M-X/5400-5900MHz | 5400-5900 | 0.40 | 20.0 | 1.25 | 60 | 20 |
| WG1313M-X/5400-6200MHz | 5400-6200 | 0.40 | 19.0 | 1.25 | 60 | 20 |
| WG1313M-X/5700-5900MHz | 5700-5900 | 0.30 | 23.0 | 1.20 | 60 | 20 |
| WG1313M-X/5500-6000MHz | 5500-6000 | 0.40 | 20.0 | 1.25 | 60 | 20 |
| WG1313M-X/5800-6700MHz | 5800-6700 | 0.45 | 19.0 | 1.25 | 60 | 20 |
| WG1313M-X/5850-6650MHz | 5850-6650 | 0.40 | 20.0 | 1.25 | 60 | 20 |



| Model No. (X=1: →Clockwise) (X=2: ←Anticlockwise) | Freq. Range MHz | IL. dB (max) | Isolation dB (min) | VSWR | Forward Power CW | Reverse Power W |
|---|--------------------|--------------------|-----------------------|------|------------------------|-----------------------|
| WG1313M-X/6500-7000MHz | 6500-7000 | 0.30 | 20.0 | 1.20 | 60 | 20 |

**If the frequency range you need is not covered in the form.
Please contact us for details.**