

850 to 5000MHz Drop in Isolator

WG1925X Drop-In Type

Outline Drawing (mm):



Features:

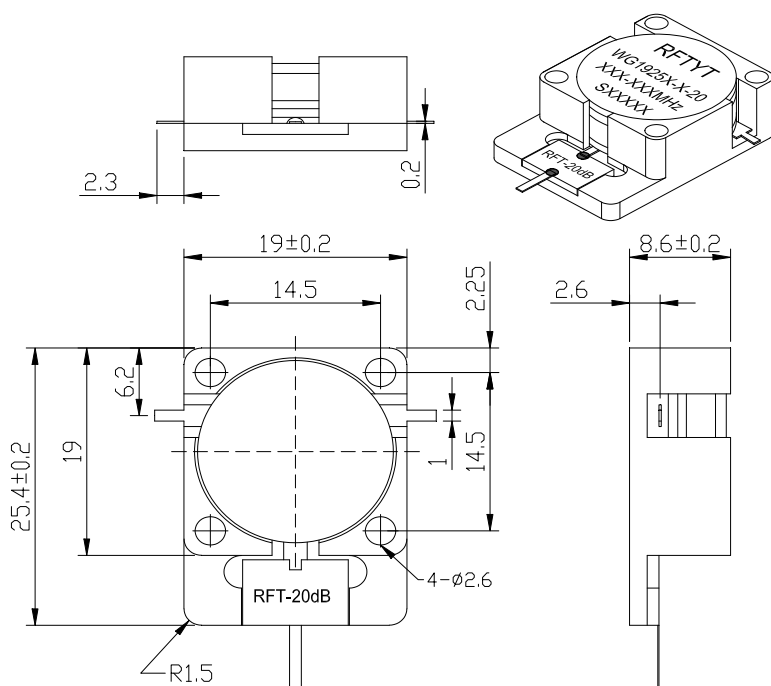
- ◇ Good temperature stability
- ◇ Withstand high power
- ◇ RoHS compliant
- ◇ Weight : ≈ 18 g

Material list:

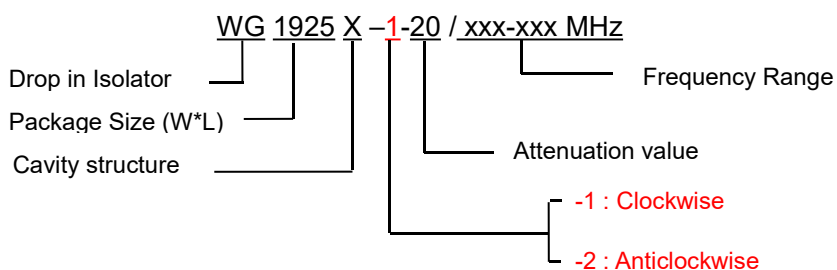
- ◇ Shell: easy to cut iron
- ◇ Coating: Nickel
- ◇ Inner conductor: brass
- ◇ Plating layer: silver

Application:

- ◇ Rf amplifier final stage, protect the amplifier
- ◇ Common transceiver antenna
- ◇ Used in civil, military, aerospace and other fields



Order Examples:



Basic Specifications:

Impedance	50 Ω
Size(mm)	19.0*25.4*8.6
Operating Temp	-30~+70 $^{\circ}$ C / -40~+85 $^{\circ}$ C
Storage temperature	-50~+90 $^{\circ}$ C



Specifications:

Model No. (X=1: →Clockwise) (X=2: ←Anticlockwise)	Freq. Range MHz	IL. dB (max)	Isolation dB (min)	VSWR	Forward Power CW	Attenuation value (dB)
WG1925X-X-20/850-855MHz	850-855	0.30	23.0	1.20	100	20
WG1925X-X-20/925-960MHz	925-960	0.35	23.0	1.20	100	20
WG1925X-X-20/1000-1200MHz	1000-1200	0.50	18.0	1.3	100	20
WG1925X-X-20/1030-1090MHz	1030-1090	0.35	20.0	1.20	100	20
WG1925X-X-20/1070-1210MHz	1070-1210	0.50	18.0	1.30	100	20
WG1925X-X-20/1100-1300MHz	1100-1300	0.50	18.0	1.30	100	20
WG1925X-X-20/1200-1400MHz	1200-1400	0.50	19.0	1.25	100	20
WG1925X-X-20/1250-1450MHz	1250-1450	0.40	20.0	1.25	100	20
WG1925X-X-20/1325-1375MHz	1325-1375	0.30	23.0	1.20	100	20
WG1925X-X-20/1450-1550MHz	1450-1550	0.30	23.0	1.20	100	20
WG1925X-X-20/1500-1700MHz	1500-1700	0.40	20.0	1.25	100	20
WG1925X-X-20/1550-1650MHz	1550-1650	0.30	23.0	1.20	100	20
WG1925X-X-20/1626-1660MHz	1626-1660	0.30	23.0	1.20	100	20
WG1925X-X-20/1700-1900MHz	1700-1900	0.40	20.0	1.25	100	20
WG1925X-X-20/1700-2000MHz	1700-2000	0.40	19.0	1.25	100	20
WG1925X-X-20/1710-1785MHz	1710-1785	0.30	23.0	1.20	100	20
WG1925X-X-20/1710-2170MHz	1710-2170	0.50	18.0	1.30	100	20
WG1925X-X-20/1800-2400MHz	1800-2400	0.60	18.0	1.30	100	20
WG1925X-X-20/1805-1880MHz	1805-1880	0.30	23.0	1.20	100	20
WG1925X-X-20/1805-2117MHz	1805-2117	0.40	20.0	1.25	100	20
WG1925X-X-20/1920-1990MHz	1920-1990	0.30	23.0	1.20	100	20
WG1925X-X-20/2000-2200MHz	2000-2200	0.40	20.0	1.20	100	20
WG1925X-X-20/2000-2400MHz	2000-2400	0.50	18.0	1.3	100	20
WG1925X-X-20/2100-2700MHz	2100-2700	0.50	18.0	1.35	100	20
WG1925X-X-20/2110-2170MHz	2110-2170	0.30	23.0	1.20	100	20



Model No. (X=1: →Clockwise) (X=2: ←Anticlockwise)	Freq. Range MHz	IL. dB (max)	Isolation dB (min)	VSWR	Forward Power CW	Attenuation value (dB)
WG1925X-X-20/2135-2365MHz	2135-2365	0.40	20.0	1.25	100	20
WG1925X-X-20/2200-2300MHz	2200-2300	0.30	23.0	1.20	100	20
WG1925X-X-20/2200-2400MHz	2200-2400	0.40	20.0	1.20	100	20
WG1925X-X-20/2200-2500MHz	2200-2500	0.40	20.0	1.25	100	20
WG1925X-X-20/2300-2400MHz	2300-2400	0.30	23.0	1.20	100	20
WG1925X-X-20/2300-2500MHz	2300-2500	0.40	20.0	1.20	100	20
WG1925X-X-20/2300-2700MHz	2300-2700	0.40	20.0	1.20	100	20
WG1925X-X-20/2400-2600MHz	2400-2600	0.40	20.0	1.20	100	20
WG1925X-X-20/2496-2690MHz	2496-2690	0.40	20.0	1.20	100	20
WG1925X-X-20/2500-2700MHz	2500-2700	0.40	20.0	1.20	100	20
WG1925X-X-20/2600-2690MHz	2600-2690	0.30	23.0	1.20	100	20
WG1925X-X-20/2700-2900MHz	2700-2900	0.30	20.0	1.20	100	20
WG1925X-X-20/2700-3100MHz	2700-3100	0.40	20.0	1.25	100	20
WG1925X-X-20/2700-3500MHz	2700-3500	0.50	18.0	1.30	100	20
WG1925X-X-20/2900-3300MHz	2900-3300	0.40	20.0	1.20	100	20
WG1925X-X-20/2900-3500MHz	2900-3500	0.40	20.0	1.25	100	20
WG1925X-X-20/3100-3500MHz	3100-3500	0.40	20.0	1.25	100	20
WG1925X-X-20/3150-3250MHz	3150-3250	0.30	23.0	1.20	100	20
WG1925X-X-20/3300-3600MHz	3300-3600	0.30	20.0	1.20	100	20
WG1925X-X-20/3300-3800MHz	3300-3800	0.40	20.0	1.25	100	20
WG1925X-X-20/3400-3900MHz	3400-3900	0.40	20.0	1.25	100	20
WG1925X-X-20/3400-4200MHz	3400-4200	0.45	19.0	1.25	100	20
WG1925X-X-20/3400-4300MHz	3400-4300	0.50	18.0	1.30	100	20
WG1925X-X-20/3550-3700MHz	3550-3700	0.30	23.0	1.20	100	20
WG1925X-X-20/3600-3800MHz	3600-3800	0.30	23.0	1.20	100	20
WG1925X-X-20/3900-4200MHz	3900-4200	0.30	23.0	1.20	100	20
WG1925X-X-20/3900-4500MHz	3900-4500	0.40	20.0	1.25	100	20



Model No. (X=1: →Clockwise) (X=2: ←Anticlockwise)	Freq. Range MHz	IL. dB (max)	Isolation dB (min)	VSWR	Forward Power CW	Attenuation value (dB)
WG1925X-X-20/4000-4500MHz	4000-4500	0.40	19.0	1.25	100	20
WG1925X-X-20/4200-4700MHz	4200-4700	0.40	20.0	1.25	100	20
WG1925X-X-20/4400-5000MHz	4400-5000	0.40	20.0	1.25	100	20

**If the frequency range you need is not covered in the form.
Please contact us for details.**