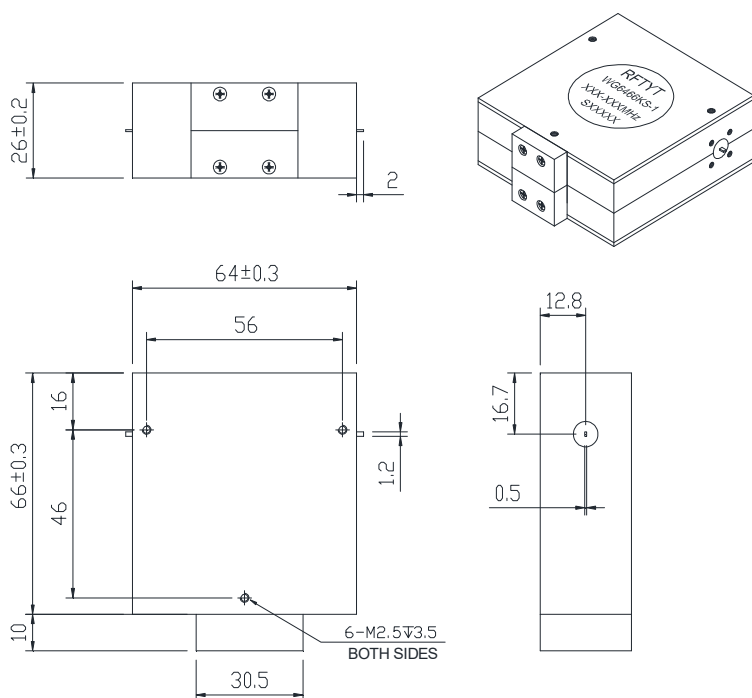


## 1.0 to 2.0GHz Drop in Isolator

### WG6466K Drop-In Type

#### Outline Drawing (mm):



#### Features:

- ◇ Good temperature stability
- ◇ Withstand high power
- ◇ RoHS compliant
- ◇ Weight :  $\approx$  325 g

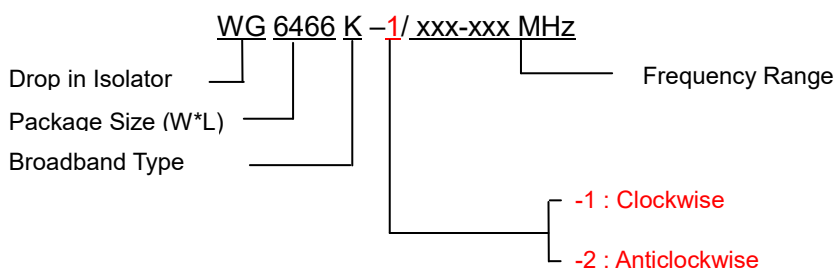
#### Material list:

- ◇ Shell: Steel
- Coating: Bright Nickel
- ◇ Inner conductor: Brass
- Coating: Silver

#### Application:

- ◇ Protect the power amplifier and Installed at the end of RF power amplifier
- ◇ Transceiver common antenna
- ◇ GSM1800/CDMA/TD-SCDMA/WCDMA/EGSM/Wimax/TD-LTE/AMPS/SMR 5G and other communication systems

#### Order Examples :



#### Basic Specifications :

Impedance	50 $\Omega$
Size(mm)	64.0*66.0*26.0
Operating Temp	-10~+60 $^{\circ}$ C
Storage temperature	-50~+90 $^{\circ}$ C



Specifications:

Model No. (X=1: →Clockwise) (X=2: ←Anticlockwise)	Freq. Range MHz	IL. dB (max)	Isolation dB (min)	VSWR	Forward Power CW	Reverse Power W
WG6466K-X/1.0-2.0GHz	1.0-2.0	0.70	17.0	1.40	100	20/100

**If the frequency range you need is not covered in the form.  
Please contact us for details.**