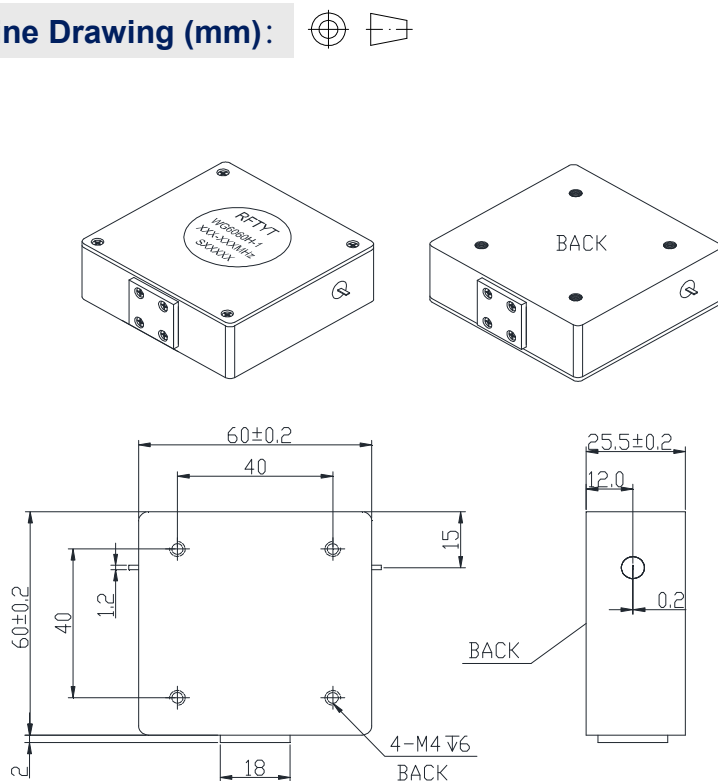


45 to 400MHz Drop in Isolator

WG6060E Drop-In Type

Outline Drawing (mm):



Features:

- ◇ Good temperature stability
- ◇ Withstand high power
- ◇ RoHS compliant
- ◇ Weight : ≈ 325 g

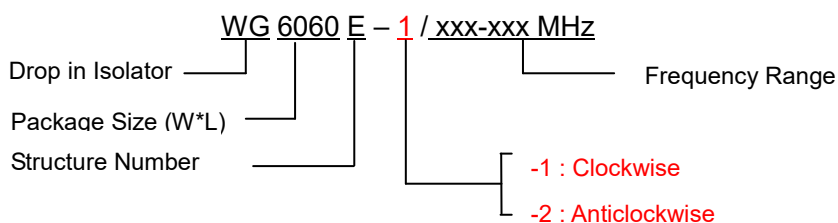
Material list:

- ◇ Shell: Steel
- Coating: Bright Nickel
- ◇ Inner conductor: Brass
- Coating: Silver

Application:

- ◇ Protect the power amplifier and
Installed at the end of RF power
amplifier
- ◇ Transceiver common antenna
- ◇ Medical, Communication, Security .
VHF.

Order Examples :



Basic Specifications :

Impedance	50 Ω
Size(mm)	60.0*60.0*25.0
Operating Temp	-30~+70 $^{\circ}$ C/-40~+85 $^{\circ}$ C
Storage temperature	-50~+90 $^{\circ}$ C



Specifications:

Model No. (X=1: →Clockwise) (X=2: ←Anticlockwise)	Freq. Range MHz	IL. dB (max)	Isolation dB (min)	VSWR	Forward Power CW	Reverse Power W
WG6060E-X/45-50MHz	45-50	1.40	18.0	1.30	100	20/100
WG6060E-X/45-55MHz	45-55	1.60	18.0	1.30	100	20/100
WG6060E-X/47-61MHz	47-61	1.20	18.0	1.30	100	20/100
WG6060E-X/50-75MHz	50-75	1.60	18.0	1.30	100	20/100
WG6060E-X/55-65MHz	55-65	0.80	20.0	1.25	100	20/100
WG6060E-X/55-75MHz	55-75	1.20	18.0	1.30	100	20/100
WG6060E-X/60-65MHz	60-65	0.80	20.0	1.25	100	20/100
WG6060E-X/60-80MHz	60-80	1.00	20.0	1.25	100	20/100
WG6060E-X/65-70MHz	65-70	0.70	20.0	1.25	100	20/100
WG6060E-X/66-72MHz	66-72	0.80	20.0	1.25	100	20/100
WG6060E-X/68-88MHz	68-88	0.80	18.0	1.30	100	20/100
WG6060E-X/70-85MHz	70-85	0.70	20.0	1.25	100	20/100
WG6060E-X/70-90MHz	70-90	0.80	20.0	1.25	100	20/100
WG6060E-X/76-100MHz	76-100	0.80	20.0	1.25	100	20/100
WG6060E-X/80-120MHz	80-120	1.00	18.0	1.30	100	20/100
WG6060E-X/85-135MHz	85-135	1.10	18.0	1.30	100	20/100
WG6060E-X/87-108MHz	87-108	0.60	20.0	1.25	150	20/100
WG6060E-X/88-138MHz	88-138	1.00	18.0	1.30	150	20/100
WG6060E-X/90-100MHz	90-100	0.50	20.0	1.20	150	20/100
WG6060E-X/98-103MHz	98-103	0.50	20.0	1.20	150	20/100
WG6060E-X/100-130MHz	100-130	0.60	20.0	1.25	150	20/100
WG6060E-X/100-140MHz	100-140	0.80	20.0	1.25	150	20/100
WG6060E-X/100-150MHz	100-150	0.90	18.0	1.30	150	20/100
WG6060E-X/108-112MHz	108-112	0.50	23.0	1.25	150	20/100
WG6060E-X/108-118MHz	108-118	0.50	23.0	1.20	150	20/100



Model No. (X=1: →Clockwise) (X=2: ←Anticlockwise)	Freq. Range MHz	IL. dB (max)	Isolation dB (min)	VSWR	Forward Power CW	Reverse Power W
WG6060E-X/108-137MHz	108-137	0.65	20.0	1.25	150	20/100
WG6060E-X/112-132MHz	112-132	0.60	20.0	1.20	150	20/100
WG6060E-X/116-138MHz	116-138	0.60	20.0	1.20	150	20/100
WG6060E-X/118-137MHz	118-137	0.60	20.0	1.20	150	20/100
WG6060E-X/118-161MHz	118-161	0.60	20.0	1.25	150	20/100
WG6060E-X/120-130MHz	120-130	0.50	20.0	1.25	150	20/100
WG6060E-X/130-174MHz	130-174	0.50	20.0	1.25	150	20/100
WG6060E-X/130-180MHz	130-180	0.50	20.0	1.25	150	20/100
WG6060E-X/130-190MHz	130-190	0.60	18.0	1.25	150	20/100
WG6060E-X/135-155MHz	135-155	0.50	20.0	1.20	150	20/100
WG6060E-X/135-175MHz	135-175	0.60	20.0	1.25	150	20/100
WG6060E-X/135-195MHz	135-195	0.60	18.0	1.30	150	20/100
WG6060E-X/136-174MHz	136-174	0.45	20.0	1.25	150	20/100
WG6060E-X/140-148MHz	140-148	0.40	20.0	1.25	150	20/100
WG6060E-X/148-174MHz	148-174	0.50	20.0	1.25	150	20/100
WG6060E-X/150-170MHz	150-170	0.40	20.0	1.20	150	20/100
WG6060E-X/150-200MHz	150-200	0.50	20.0	1.25	150	20/100
WG6060E-X/150-225MHz	150-225	0.60	18.0	1.30	150	20/100
WG6060E-X/153-157MHz	153-157	0.40	23.0	1.20	150	20/100
WG6060E-X/157-159MHz	157-159	0.40	23.0	1.20	150	20/100
WG6060E-X/160-170MHz	160-170	0.40	23.0	1.20	150	20/100
WG6060E-X/165-175MHz	165-175	0.40	23.0	1.20	150	20/100
WG6060E-X/166-172MHz	166-172	0.40	23.0	1.20	150	20/100
WG6060E-X/170-200MHz	170-200	0.50	20.0	1.25	150	20/100
WG6060E-X/170-230MHz	170-230	0.60	20.0	1.25	150	20/100
WG6060E-X/174-230MHz	174-230	0.60	20.0	1.25	150	20/100



Model No. (X=1: →Clockwise) (X=2: ←Anticlockwise)	Freq. Range MHz	IL. dB (max)	Isolation dB (min)	VSWR	Forward Power CW	Reverse Power W
WG6060E-X/175-215MHz	175-215	0.50	20.0	1.25	150	20/100
WG6060E-X/180-220MHz	180-220	0.50	20.0	1.25	150	20/100
WG6060E-X/180-230MHz	180-230	0.50	20.0	1.25	150	20/100
WG6060E-X/180-240MHz	180-240	0.60	20.0	1.25	150	20/100
WG6060E-X/200-270MHz	200-270	0.70	18.0	1.30	150	20/100
WG6060E-X/200-300MHz	200-300	0.80	18.0	1.30	150	20/100
WG6060E-X/225-400MHz	225-400	0.80	18.0	1.30	150	20/100
WG6060E-X/233-253MHz	233-253	0.40	23.0	1.20	150	20/100

**If the frequency range you need is not covered in the form.
Please contact us for details.**