

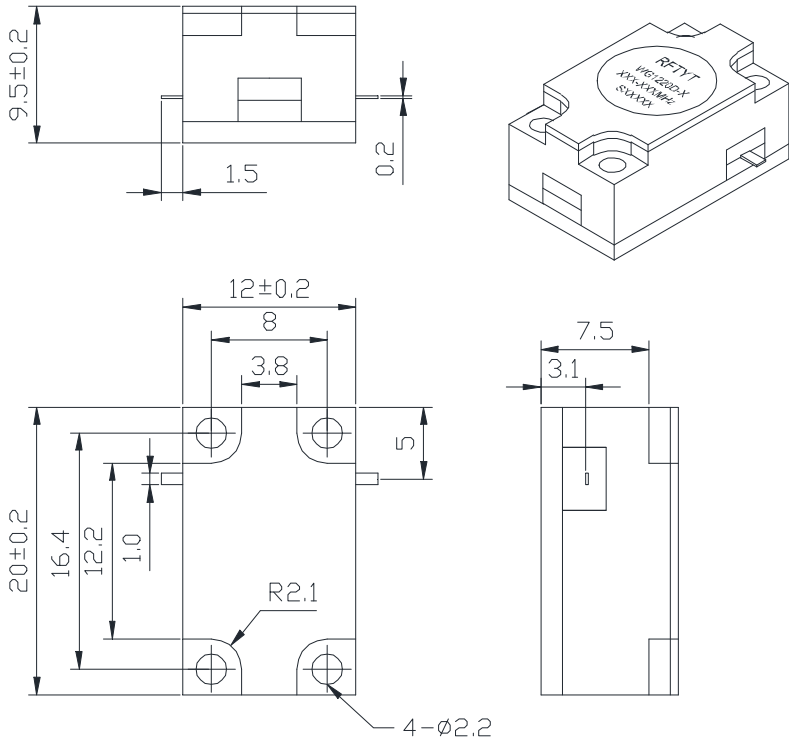


5.5 to 7.0GHz Drop in Isolator

WG1220D Drop-In Type



Outline Drawing (mm):



Features:

- ✧ Good temperature stability
- ✧ Withstand high power
- ✧ RoHS compliant
- ✧ Weight : ≈ g

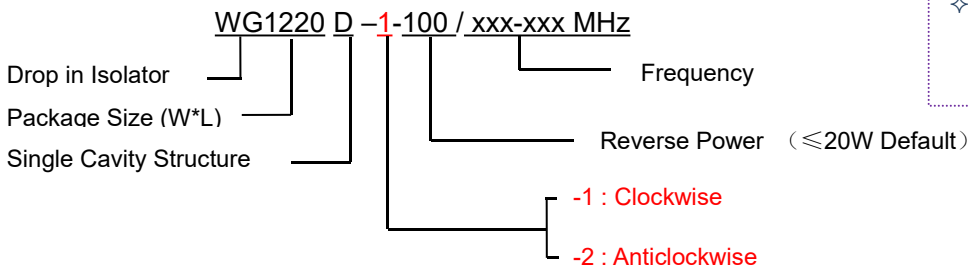
Material list:

- ✧ Cavity: aluminum conductive oxidation
- ✧ Outer shell: industrial pure iron nickel plating
- ✧ Guide body: Silver plated brass
- ✧ Load chamber: aluminum conductive oxidation

Application:

- ✧ Rf amplifier final stage, protect the amplifier
- ✧ Common transceiver antenna
- ✧ High capacity microwave relay communication

Order Examples:



Basic Specifications:

| | |
|---------------------|-----------------------|
| Impedance | 50 Ω |
| Size(mm) | 16.0*23.0*9.7 |
| Operating Temp | -30~+70 °C/-40~+85 °C |
| Storage temperature | -50~+90 °C |



Specifications:

| Model No. (X=1: →Clockwise) (X=2: ←Anticlockwise) | Freq. Range GHz | IL. dB (max) | Isolation dB (min) | VSWR | Forward Power CW | Reverse Power W |
|---|--------------------|--------------------|-----------------------|------|------------------------|-----------------------|
| WG1220D-X/5.5-5.7GHz | 5.5-5.7 | 0.40 | 20.0 | 1.20 | 30 | 5 |
| WG1220D-X/5.6-6.0GHz | 5.6-6.0 | 0.40 | 19.0 | 1.25 | 30 | 5 |
| WG1220D-X/5.7-5.9GHz | 5.7-5.9 | 0.30 | 23.0 | 1.20 | 30 | 5 |
| WG1220D-X/5.7-6.5GHz | 5.7-6.5 | 0.50 | 18.0 | 1.30 | 30 | 5 |
| WG1220D-X/5.78-6.0GHz | 5.78-6.0 | 0.40 | 20.0 | 1.20 | 30 | 5 |
| WG1220D-X/5.8-6.5GHz | 5.8-6.5 | 0.50 | 18.0 | 1.30 | 30 | 5 |
| WG1220D-X/5.85-6.73GHz | 5.85-6.73 | 0.50 | 18.0 | 1.30 | 30 | 5 |
| WG1220D-X/6.0-7.0GHz | 6.0-7.0 | 0.50 | 18.0 | 1.30 | 30 | 5 |
| WG1220D-X/6.35-6.55GHz | 6.35-6.55 | 0.30 | 23.0 | 1.20 | 30 | 5 |
| WG1220D-X/6.5-7.0GHz | 6.5-7.0 | 0.40 | 20.0 | 1.25 | 30 | 5 |
| WG1220D-X/6.57-6.87GHz | 6.57-6.87 | 0.30 | 20.0 | 1.20 | 30 | 5 |
| WG1220D-X/6.7-7.0GHz | 6.7-7.0 | 0.30 | 20.0 | 1.20 | 30 | 5 |

**If the frequency range you need is not covered in the form.
Please contact us for details.**