

## 6.0 to 12.0GHz Drop in Isolator

### WG1319C Drop-In Type

Outline Drawing (mm): 



#### Features:

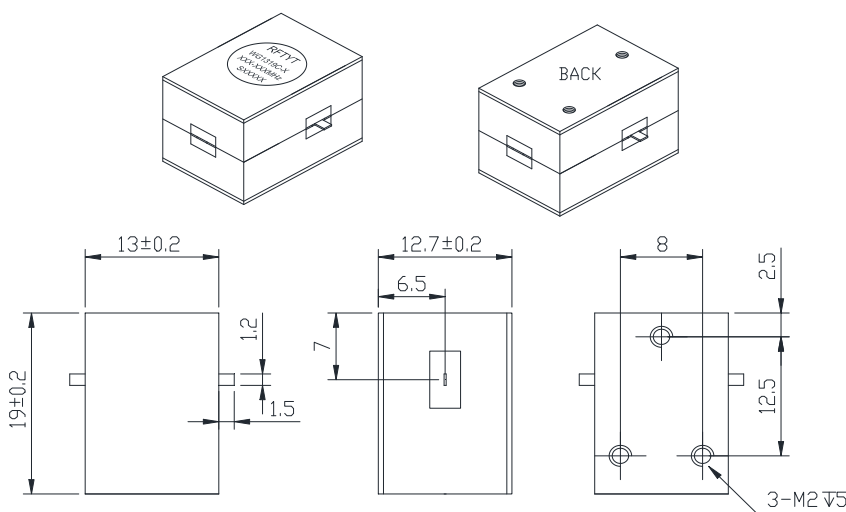
- ◇ Good temperature stability
- ◇ Withstand high power
- ◇ RoHS compliant
- ◇ Weight :  $\approx 20$  g

#### Material list:

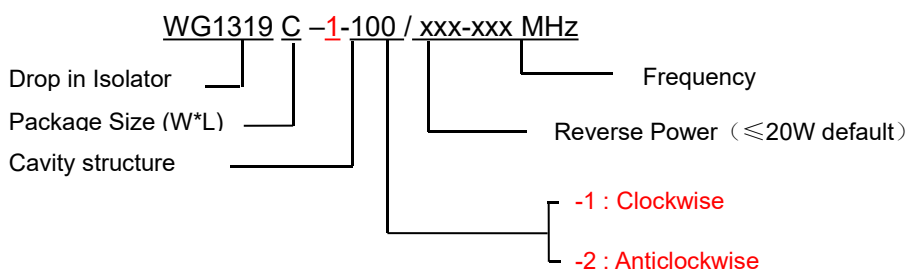
- ◇ Housing: Aluminum
- ◇ Coating: Nickel
- ◇ Inner conductor: brass
- ◇ Plating layer: silver

#### Application:

- ◇ Rf amplifier final stage, protect the amplifier
- ◇ Common transceiver antenna
- ◇ Tropospheric scattering communication, microwave communication in medium volume, microwave relay communication in large capacity, digital communication, satellite communication, Inmarsat communication



#### Order Examples:



#### Basic Specifications:

Impedance	50 $\Omega$
Size(mm)	13.0*19.0*12.7
Operating Temp	-10~+60 $^{\circ}$ C
Storage temperature	-50~+90 $^{\circ}$ C



## Specifications:

Model No. (X=1: →Clockwise) (X=2: ←Anticlockwise)	Freq. Range GHz	IL dB (max)	Isolation dB (min)	VSWR	Forward Power CW	Reverse Power W
WG1319C-X/6.0-7.0GHz	6.0-7.0	0.50	18.0	1.30	30	10
WG1319C-X/6.0-8.0GHz	6.0-8.0	0.50	18.0	1.35	30	10
WG1319C-X/6.0-10.0GHz	6.0-10.0	0.50	17.0	1.35	30	10
WG1319C-X/6.0-12.0GHz	6.0-12.0	0.60	15.0	1.45	30	10
WG1319C-X/6.6-7.0GHz	6.6-7.0	0.40	20.0	1.25	30	10
WG1319C-X/6.8-7.0GHz	6.8-7.0	0.40	20.0	1.25	30	10
WG1319C-X/7.0-9.0GHz	7.0-9.0	0.40	20.0	1.25	30	10
WG1319C-X/7.0-11.0GHz	7.0-11.0	0.60	18.0	1.35	30	10
WG1319C-X/7.0-12.0GHz	7.0-12.0	0.60	16.0	1.50	30	10
WG1319C-X/7.5-9.0GHz	7.5-9.0	0.40	20.0	1.25	30	10
WG1319C-X/7.7-8.5GHz	7.7-8.5	0.40	20.0	1.25	30	10
WG1319C-X/7.7-9.0GHz	7.7-9.0	0.40	20.0	1.25	30	10
WG1319C-X/7.9-8.4GHz	7.9-8.4	0.40	20.0	1.25	30	10
WG1319C-X/7.9-9.0GHz	7.9-9.0	0.40	20.0	1.25	30	10
WG1319C-X/8.0-8.5GHz	8.0-8.5	0.40	20.0	1.25	30	10
WG1319C-X/8.0-9.0GHz	8.0-9.0	0.40	20.0	1.25	30	10
WG1319C-X/8.0-10.0GHz	8.0-10.0	0.50	10.0	1.30	30	10
WG1319C-X/8.0-11.0GHz	8.0-11.0	0.50	18.0	1.30	30	10
WG1319C-X/8.0-12.0GHz	8.0-12.0	0.50	18.0	1.30	30	10
WG1319C-X/8.0-12.4GHz	8.0-12.4	0.60	16.0	1.40	30	10
WG1319C-X/8.3-8.4GHz	8.3-8.4	0.30	23.0	1.20	30	10
WG1319C-X/8.5-9.5GHz	8.5-9.5	0.40	20.0	1.25	30	10
WG1319C-X/8.9-9.1GHz	8.9-9.1	0.40	20.0	1.25	30	10
WG1319C-X/8.55-9.35GHz	8.55-9.35	0.40	20.0	1.25	30	10
WG1319C-X/9.0-10.0GHz	9.0-10.0	0.40	20.0	1.25	30	10
WG1319C-X/9.1-9.6GHz	9.1-9.6	0.40	20.0	1.25	30	10



Model No. (X=1: →Clockwise) (X=2: ←Anticlockwise)	Freq. Range GHz	IL. dB (max)	Isolation dB (min)	VSWR	Forward Power CW	Reverse Power W
WG1319C-X/9.1-9.7GHz	9.1-9.7	0.40	20.0	1.25	30	10
WG1319C-X/9.3-9.6GHz	9.3-9.6	0.40	20.0	1.25	30	10
WG1319C-X/9.7-11.7GHz	9.7-11.7	0.50	20.0	1.25	30	10
WG1319C-X/9.9-10.1GHz	9.9-10.1	0.30	25.0	1.15	30	10
WG1319C-X/9.85-10.15GHz	9.85-10.15	0.30	23.0	1.20	30	10
WG1319C-X/10.4-10.6GHz	10.4-10.6	0.30	23.0	1.20	30	10
WG1319C-X/10.7-13.3GHz	10.7-13.3	0.40	20.0	1.20	30	10

**If the frequency range you need is not covered in the form.  
Please contact us for details.**