

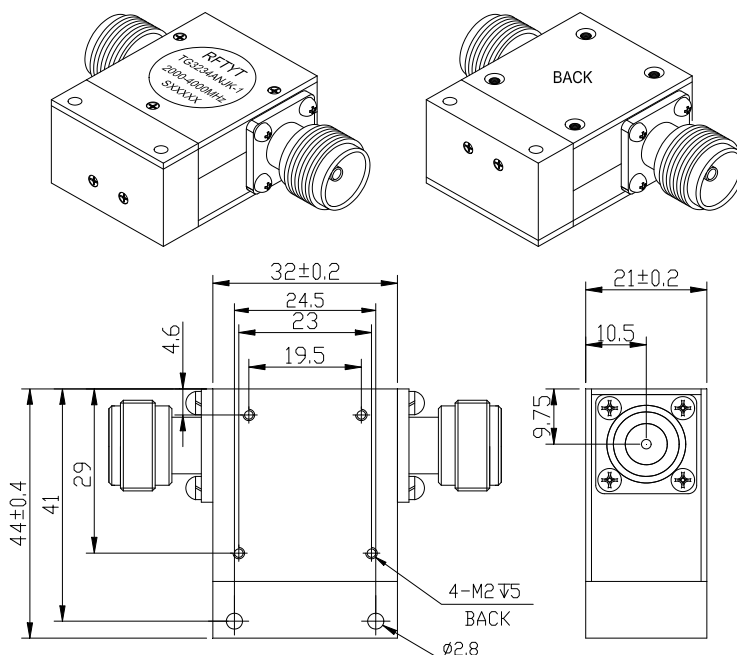


Impedance	50 Ω
Connector Type	N-K
Size(mm)	32.0*34.0*21.0
Operating Temp	-10~+60 °C
Storage temperature	-50~+90 °C

Specifications:

Model No. (X=1: →Clockwise) (X=2: ←Anticlockwise)	Freq. Range GHz	IL. dB (max)	Isolation dB (min)	VSWR	Forward Power CW	Reverse Power W
TG3234AN-X/2000-4000MHz	2.0-4.0	0.50	18.0	1.30	150	20/100

Reflected power 100W size diagram



The reflected power of this figure is 100W, the indicators are the same as the table, model TG3234AN-X-100/2000-4000MHz

Instructions:

- 1, The isolator connector can be selected SMA, N, male and female head can be used with the user;
- 2, The reflection power is commonly used 20W and 100W options, you can also configure the total reflection power according to user requirements;
- 3, Only some common frequencies in the table, can be produced according to the user's requirements;
- 4, If you do not find what you are looking for, please contact us!