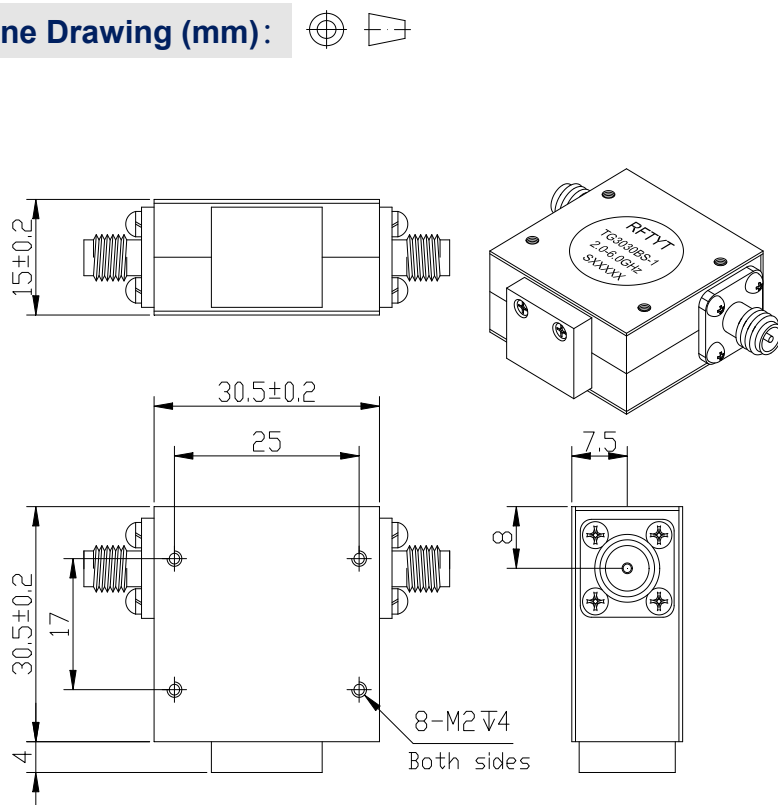


2.0 to 6.0GHz Coaxial Isolator

TG3030BS SMA Type

Outline Drawing (mm):



Features:

- ◇ Good temperature stability
- ◇ Withstand high power
- ◇ RoHS compliant
- ◇ Weight : \approx 120 g

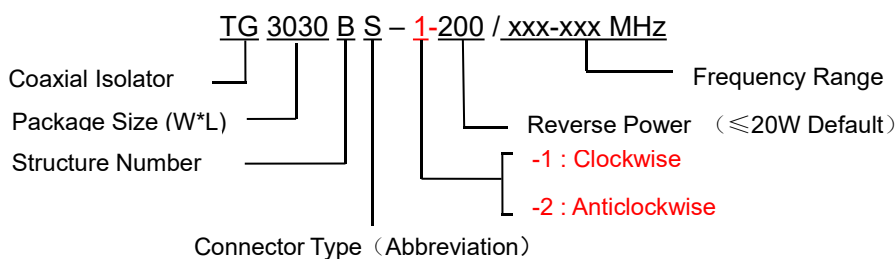
Material list:

- ◇ Cavity: aluminum conductive oxidation
- ◇ Outer shell: industrial pure iron nickel plating
- ◇ Guide body: Silver plated brass
- ◇ Load chamber: aluminum conductive oxidation

Application:

- ◇ Rf amplifier final stage, protect the amplifier
- ◇ Digital communication
- ◇ Satellite communication
- ◇ Mobile communication

Order Examples:



Connector Type:

SMA Type Connector Options			N Type Connector Options		
Port 1	Port 2	Abbreviation	Port 1	Port 2	Abbreviation
SMA-K	SMA-K	S	N-K	N-K	N
SMA-K	SMA-J	SKJ	N-J	N-K	NJK
SMA-J	SMA-K	SJK	N-K	N-J	NKJ
SMA-J	SMA-J	SJ	N-J	N-J	NJ

Basic Specifications:

E-mail:sales@rftyt.com

677# Tangfang Road, Jingkai Dist, Mianyang City, Sichuan Province China



Impedance	50 Ω
Connector Type	SMA-K
Size(mm)	30.5*30.5*15.0
Operating temperature	-40~+70℃
Storage temperature	-50~+90℃

Specifications:

Model No. (X=1: →Clockwise) (X=2: ←Anticlockwise)	Freq. Range GHz	IL. dB (max)	Isolation dB (min)	VSWR	Forward Power CW	Reverse Power W	Notes
TG3030BS-X/2.0-6.0GHz	2.0-6.0	0.85	12.0	1.50	50	20	-10~+60℃
		1.70	12.0	1.60			-40~+75℃

Instructions:

- 1, The isolator connector can be selected SMA male and female head, can be used with the user;
- 2, Reflection power 20W;
- 3, Only some common frequencies in the table, can be produced according to the user's requirements;
- 4, If you do not find what you are looking for, please contact us!