

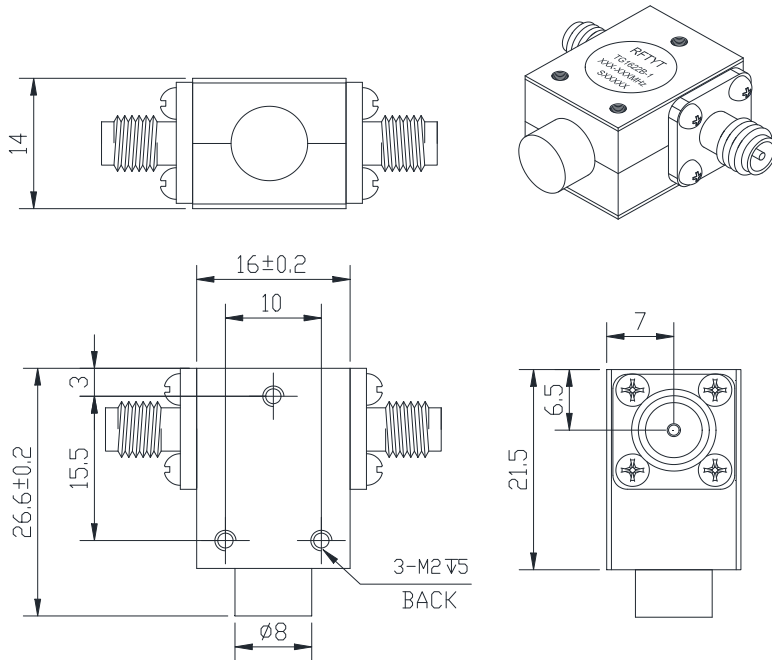


6.0 to 18.0GHz Coaxial Isolator

TG1622BS SMA Type



Outline Drawing (mm):



Features:

- ◇ Good temperature stability
- ◇ Withstand high power
- ◇ RoHS compliant
- ◇ Weight : ≈ 43.5 g

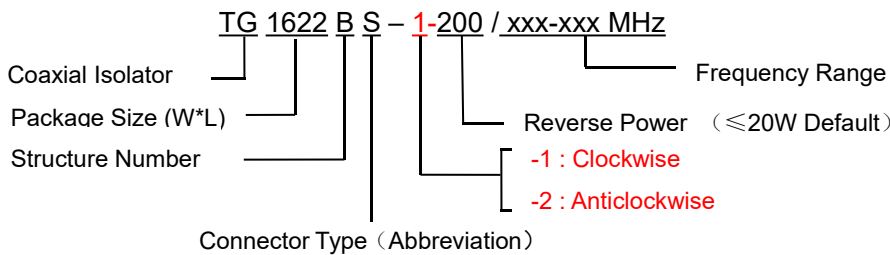
Material list:

- ◇ Cavity: aluminum conductive oxidation
- ◇ Outer shell: industrial pure iron nickel plating
- ◇ Guide body: Silver plated brass

Application:

- ◇ Rf amplifier final stage, protect the amplifier
- ◇ Digital communication
- ◇ Satellite communication
- ◇ Mobile communication

Order Examples:



Connector Type:

SMA Type Connector Options			N Type Connector Options		
Port 1	Port 2	Abbreviation	Port 1	Port 2	Abbreviation
SMA-K	SMA-K	S	N-K	N-K	N
SMA-K	SMA-J	SKJ	N-J	N-K	NJK
SMA-J	SMA-K	SJK	N-K	N-J	NKJ
SMA-J	SMA-J	SJ	N-J	N-J	NJ

Basic Specifications:



Impedance	50 Ω
Connector Type	SMA-K
Size(mm)	16.0*26.6*14.0
Operating Temp	0~+60°C
Storage temperature	-50~+90 °C

Specifications:

Model No. (X=1: →Clockwise) (X=2: ←Anticlockwise)	Freq. Range GHz	IL. dB (max)	Isolation dB (min)	VSWR	Forward Power CW	Reverse Power W
TG1622BS-X/6.0-12.0GHz	6.0-12.0	1.50	10.0	1.90	30	10
TG1622BS-X/6.0-18.0GHz	6.0-18.0	1.50	9.5	2.0	30	10
TG1622BS-X/8.0-18.0GHz	8.0-18.0	1.40	15.0	1.50	30	10
TG1622BS-X/12.0-18.0GHz	12.0-18.0	0.80	17.0	1.40	30	10

Instructions:

- 1, The isolator connector can be selected SMA male and female head, through the wall connection can be used with the user;
- 2, Reflection power only 20W option;
- 3, Only some common frequencies in the table, can be produced according to the user's requirements;
- 4, If you do not find what you are looking for, please contact us!