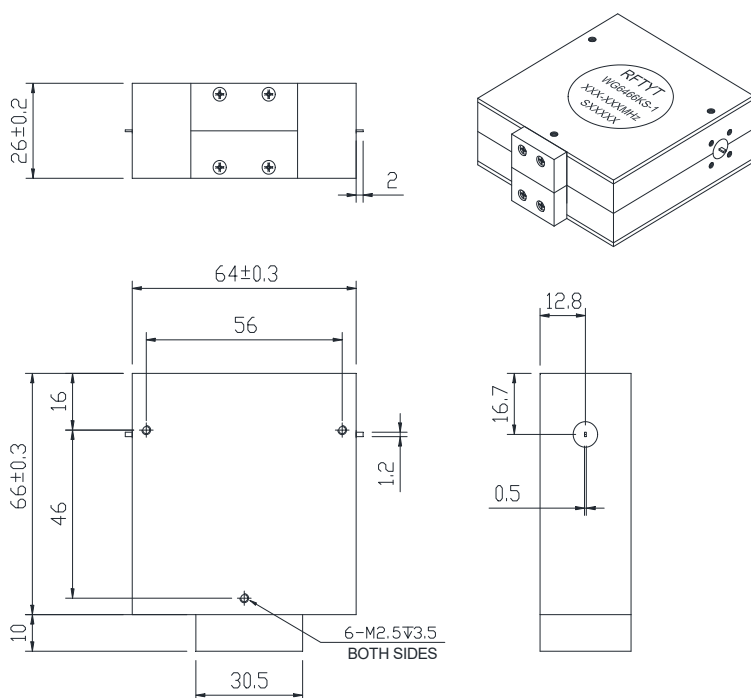


## 1.0 to 2.0GHz Drop in Isolator

WG6466K Microstrip line

Outline Drawing (mm): 



### Features:

- ◇ Good temperature stability
- ◇ Withstand high power
- ◇ RoHS compliant
- ◇ Weight :  $\approx 325$  g

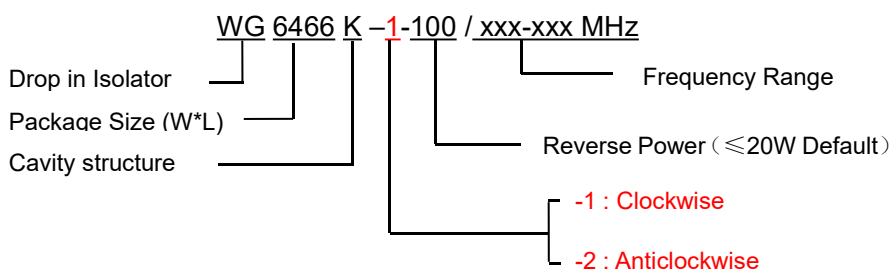
### Material list:

- ◇ Cavity: aluminum conductive oxidation
- ◇ Outer shell: industrial pure iron nickel plating
- ◇ Inner conductor: silver plated brass
- ◇ Load chamber: aluminum conductive oxidation

### Application:

- ◇ RF amplifier final stage, protect the amplifier
- ◇ Digital communication
- ◇ Satellite communication
- ◇ Mobile communication

### Order Examples:



### Basic Specifications:

Impedance	50 $\Omega$
Connection type	Microstrip line
Size(mm)	64.0*66.0*26.0
Operating Temp	-10~+60 $^{\circ}$ C
Storage temperature	-40~+90 $^{\circ}$ C



Specifications:

Model No. (X=1: →Clockwise) (X=2: ←Anticlockwise)	Freq. Range GHz	IL. dB (max)	Isolation dB (min)	VSWR	Forward Power CW	Reverse Power W
WG6466K-X/950-2000MHz	0.95-2.0	0.80	16.0	1.40	150	100
WG6466K-X/1000-2000MHz	1.0-2.0	0.70	17.0	1.40	150	100

Instructions:

1. The mounting hole of the isolator is a threaded hole; Bilateral symmetry;
- 2, reflection power 100W;
- 3, only some common frequencies in the table, can be produced according to the user's requirements;
- 4, if you do not find what you are looking for, please contact us!