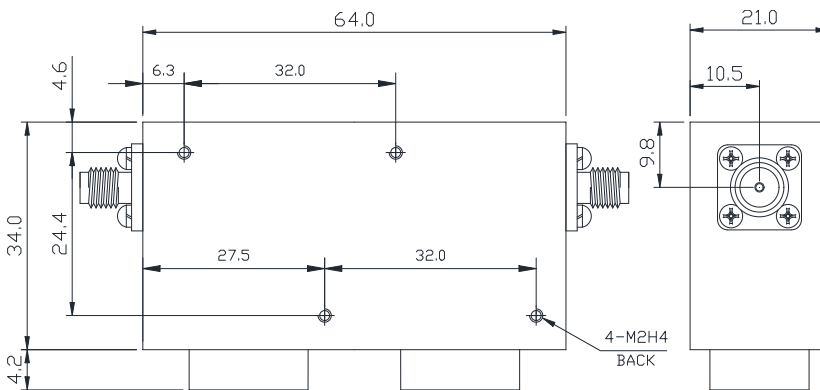




2.0 to 4.0GHz Dual Junction Isolator

TG6434AS SMA Type

Outline Drawing (mm):



Features:

- ◇ Good temperature stability
- ◇ Withstand high power
- ◇ RoHS compliant
- ◇ Weight : ≈ g

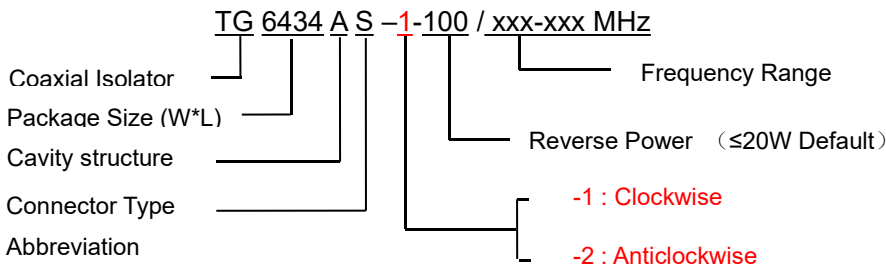
Material list:

- ◇ Cavity: aluminum conductive oxidation
- ◇ Outer shell: industrial pure iron nickel plating
- ◇ Guide body: Silver plated brass
- ◇ Load chamber: aluminum conductive oxidation

Application:

- ◇ Rf amplifier final stage, protect the amplifier
- ◇ Digital communication
- ◇ Satellite communication
- ◇ Mobile communication

Order Examples:



Connector Type

SMA Type Connector Options			N Type Connector Options		
Port 1	Port 2	Abbreviation	Port 1	Port 2	Abbreviation
SMA-K	SMA-K	S	N-K	N-K	N
SMA-K	SMA-J	SKJ	N-J	N-K	NJK
SMA-J	SMA-K	SJK	N-K	N-J	NKJ
SMA-J	SMA-J	SJ	N-J	N-J	NJ



Basic Specifications :

Impedance	50 Ω
Size(mm)	64.0*34.0*21.0
Operating Temp	-10~+60℃
Storage temperature	-50~+90℃
ConnectorType	SMA-K

Specifications :

Model No. (X=1: →Clockwise) (X=2: ←Anticlockwise)	Freq. Range GHz	IL. dB (max)	Isolation dB (min)	VSWR	Forward Power CW	Reverse Power W
TG6434AS-X/2.0-3.0GHz	2.0-3.0	0.8	36	1.30	100	20
TG6434AS-X/2.0-3.5GHz	2.0-3.5	0.8	36	1.30	100	20
TG6434AS-X/2.0-4.0GHz	2.0-4.0	1.0	36	1.30	100	20
TG6434AS-X/2.5-3.5GHz	2.5-3.5	0.8	40	1.25	100	20
TG6434AS-X/2.5-4.0GHz	2.5-4.0	0.8	36	1.30	100	20
TG6434AS-X/3.0-4.2GHz	3.0-4.2	0.8	36	1.30	100	20

Instructions :

- 1, The isolator connector can be selected SMA, N, male and female head can be used with the user;
- 2, Only some common frequencies in the table, can be produced according to the user's requirements;
- 3, If you do not find what you are looking for, please contact us!