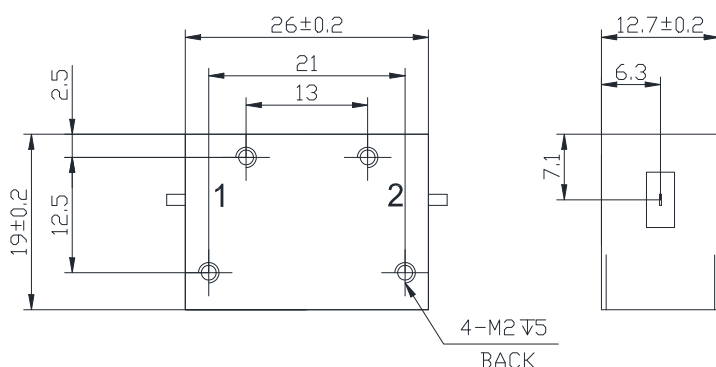
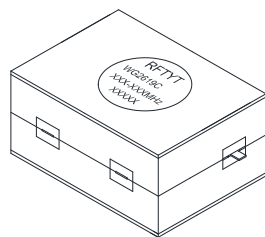
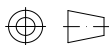


8.0 to 12.0GHz Dual Junction Drop in Isolator

WG2619C Strip Line Type

Outline Drawing (mm):



Features:

- ◇ Good temperature stability
- ◇ Withstand high power
- ◇ RoHS compliant
- ◇ Weight : ≈32 g

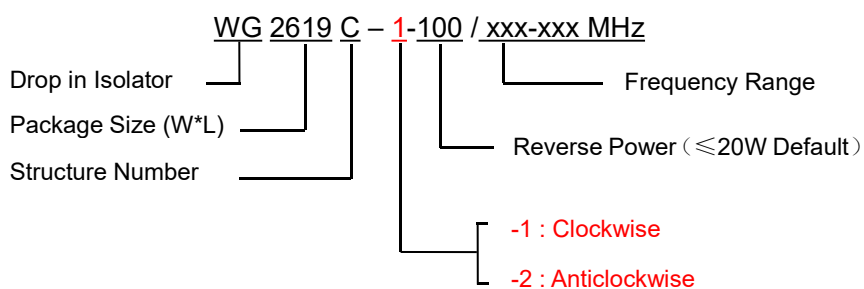
Material list:

- ◇ Cavity: aluminum conductive oxidation
- ◇ Outer shell: industrial pure iron nickel plating
- ◇ Guide body: Silver plated brass
- ◇ Load chamber: aluminum conductive oxidation

Application:

- ◇ Rf amplifier final stage, protect the amplifier
- ◇ Digital communication
- ◇ Satellite communication
- ◇ Mobile communication

Order Examples:



Basic Specifications:

Impedance	50 Ω
Connection type	Strip line
Size(mm)	26.0*19.0*12.7
Operating Temp	-30~+70 °C
Storage temperature	-50~+90 °C



Specifications:

Model No. (X=1: →Clockwise) (X=2: ←Anticlockwise)	Freq. Range GHz	IL. dB (max)	Isolation dB (min)	VSWR	Forward Power CW	Reverse Power W
WG2619C-X/8.0-8.5GHz	8.0-8.5	0.8	40	1.25	30	10
WG2619C-X/8.0-9.0GHz	8.0-9.0	0.8	40	1.25	30	10
WG2619C-X/8.0-10.0GHz	8.0-10.0	1.0	20	1.30	30	10
WG2619C-X/8.0-11.0GHz	8.0-11.0	1.0	36	1.30	30	10
WG2619C-X/8.0-12.0GHz	8.0-12.0	1.0	36	1.30	30	10

Instructions:

- 1, The isolator reflected power is only 10W;
- 2, Only some common frequencies in the table, can be produced according to user requirements;
- 3, Embedded isolator, please use stainless steel or brass screws when installing;
- 4, If you do not find the frequency you want, please contact us!