

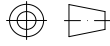


3.0 to 6.0GHz Dual Junction Isolator

TG5028CN N Type



Outline Drawing (mm):



Features:

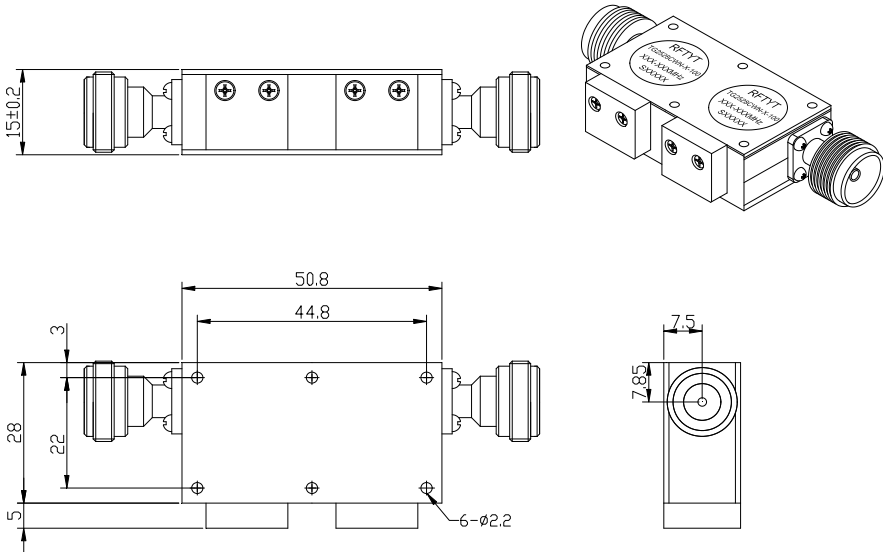
- ◇ Good temperature stability
- ◇ Withstand high power
- ◇ RoHS compliant
- ◇ Weight : ≈ g

Material list:

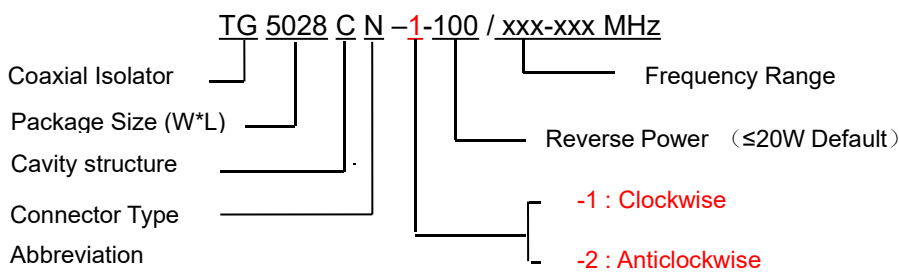
- ◇ Cavity: aluminum conductive oxidation
- ◇ Outer shell: industrial pure iron nickel plating
- ◇ Guide body: Silver plated brass
- ◇ Load chamber: aluminum conductive oxidation

Application:

- ◇ Rf amplifier final stage, protect the amplifier
- ◇ Digital communication
- ◇ Satellite communication
- ◇ Mobile communication



Order Examples:



Connector Type

SMA Type Connector Options			N Type Connector Options		
Port 1	Port 2	Abbreviation	Port 1	Port 2	Abbreviation
SMA-K	SMA-K	S	N-K	N-K	N
SMA-K	SMA-J	SKJ	N-J	N-K	NJK
SMA-J	SMA-K	SJK	N-K	N-J	NKJ
SMA-J	SMA-J	SJ	N-J	N-J	NJ



Basic Specifications :

Impedance	50 Ω
Size(mm)	50.8*28.0*15.0
Operating Temp	-10~+60℃
Storage temperature	-50~+90℃
ConnectorType	N-K

Specifications :

Model No. (X=1: →Clockwise) (X=2: ←Anticlockwise)	Freq. Range GHz	IL. dB (max)	Isolation dB (min)	VSWR	Forward Power CW	Reverse Power W
TG5028CN-X/3.0-3.6GHz	3.0-3.6	1.00	38.0	1.25	100	20
TG5028CN-X/3.0-4.2GHz	3.0-4.2	1.00	36.0	1.30	100	20
TG5028CN-X/3.0-4.8GHz	3.0-4.8	1.00	36.0	1.30	100	20
TG5028CN-X/3.0-5.0GHz	3.0-5.0	1.00	36.0	1.25	100	20
TG5028CN-X/3.0-6.0GHz	3.0-6.0	1.00	36.0	1.30	100	20
TG5028CN-X/3.2-6.0GHz	3.2-6.0	1.00	36.0	1.30	100	20
TG5028CN-X/3.3-3.8GHz	3.3-3.8	0.80	40.0	1.25	100	20
TG5028CN-X/3.3-5.0GHz	3.3-5.0	1.00	36.0	1.30	100	20
TG5028CN-X/3.4-3.6GHz	3.4-3.6	0.80	40.0	1.20	100	20
TG5028CN-X/3.4-4.2GHz	3.4-4.2	0.80	40.0	1.25	100	20
TG5028CN-X/3.7-4.2GHz	3.7-4.2	0.80	40.0	1.20	100	20
TG5028CN-X/4.0-5.0GHz	4.0-5.0	0.80	40.0	1.25	100	20
TG5028CN-X/4.0-6.0GHz	4.0-6.0	0.90	40.0	1.25	100	20
TG5028CN-X/4.4-5.0GHz	4.4-5.0	0.80	40.0	1.25	100	20
TG5028CN-X/4.4-5.25GHz	4.4-5.25	0.80	40.0	1.20	100	20
TG5028CN-X/4.4-5.9GHz	4.4-5.9	0.80	40.0	1.25	100	20
TG5028CN-X/4.5-5.25GHz	4.5-5.25	0.80	40.0	1.25	100	20
TG5028CN-X/4.9-5.8GHz	4.9-5.8	0.80	40.0	1.25	100	20
TG5028CN-X/5.0-6.0GHz	5.0-6.0	0.80	36.0	1.30	100	20
TG5028CN-X/5.0-6.5GHz	5.0-6.5	1.00	36.0	1.30	100	20



Model No. (X=1: →Clockwise) (X=2: ←Anticlockwise)	Freq. Range GHz	IL. dB (max)	Isolation dB (min)	VSWR	Forward Power CW	Reverse Power W
TG5028CN-X/5.3-5.9GHz	5.3-5.9	0.60	40.0	1.20	100	20
TG5028CN-X/5.3-6.3GHz	5.3-6.3	1.00	36.0	1.30	100	20
TG5028CN-X/5.4-5.8GHz	5.4-5.8	0.80	40.0	1.25	100	20
TG5028CN-X/5.4-6.2GHz	5.4-6.2	0.80	36.0	1.30	100	20
TG5028CN-X/5.5-6.0GHz	5.5-6.0	0.80	40.0	1.25	100	20

Instructions:

- 1, The isolator connector can be selected SMA, N, male and female head can be used with the user;
- 2, Only some common frequencies in the table, can be produced according to the user's requirements;
- 3, If you do not find what you are looking for, please contact us!