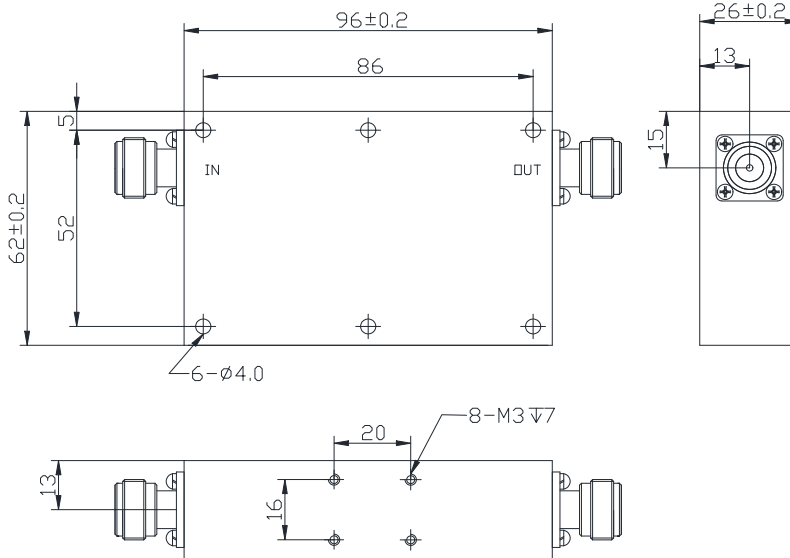
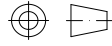




300 to 1250MHz Dual Junction Isolator

TG9662HN N Type

Outline Drawing (mm):



Features:

- ◇ Good temperature stability
- ◇ Withstand high power
- ◇ RoHS compliant
- ◇ Weight : \approx 480 g

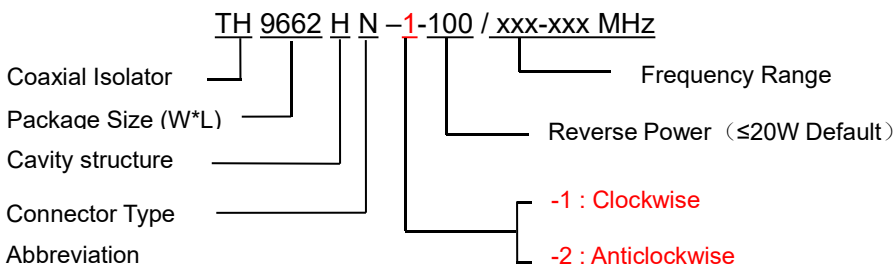
Material list:

- ◇ Cavity: aluminum conductive oxidation
- ◇ Guide body: Silver plated brass
- ◇ Load chamber: aluminum conductive oxidation

Application:

- ◇ Rf amplifier final stage, protect the amplifier
- ◇ Digital communication
- ◇ Satellite communication
- ◇ Mobile communication

Order Examples :



Connector Type

SMA Type Connector Options			N Type Connector Options		
Port 1	Port 2	Abbreviation	Port 1	Port 2	Abbreviation
SMA-K	SMA-K	S	N-K	N-K	N
SMA-K	SMA-J	SKJ	N-J	N-K	NJK
SMA-J	SMA-K	SJK	N-K	N-J	NKJ
SMA-J	SMA-J	SJ	N-J	N-J	NJ

Basic Specifications :

Impedance	50 Ω
Size(mm)	96.0*62.0*26.0
Operating Temp	-30~+70 °C/-40~+85 °C
Storage temperature	-50~+90 °C
ConnectorType	N-K

Specifications :

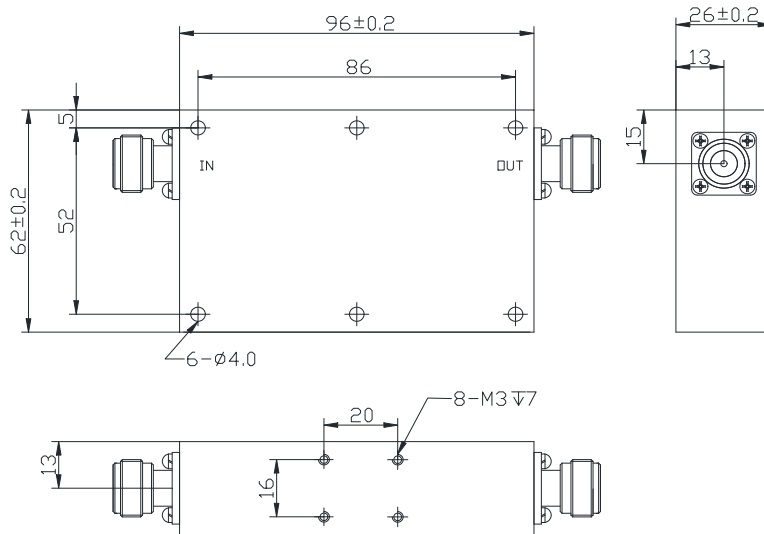
Model No. (X=1: →Clockwise) (X=2: ←Anticlockwise)	Freq. Range MHz	IL dB (max)	Isolation dB (min)	VSWR	Forward Power CW	Reverse Power W
TG9662HN-X/300-320MHz	300-320	1.2	40	1.25	100	20/100
TG9662HN-X/300-350MHz	300-350	1.6	36	1.35	100	20/100
TG9662HN-X/310-340MHz	310-340	1.0	40	1.25	100	20/100
TG9662HN-X/320-340MHz	320-340	0.9	40	1.25	100	20/100
TG9662HN-X/350-370MHz	350-370	0.8	40	1.25	100	20/100
TG9662HN-X/350-400MHz	350-400	1.0	38	1.25	100	20/100
TG9662HN-X/361-366MHz	361-366	0.6	46	1.20	100	20/100
TG9662HN-X/370-420MHz	370-420	1.0	38	1.25	100	20/100
TG9662HN-X/380-410MHz	380-410	0.8	40	1.25	100	20/100
TG9662HN-X/380-460MHz	380-460	1.0	36	1.30	100	20/100
TG9662HN-X/390-410MHz	390-410	0.6	46	1.20	100	20/100
TG9662HN-X/400-420MHz	400-420	0.6	46	1.20	100	20/100
TG9662HN-X/400-440MHz	400-440	0.8	40	1.25	100	20/100
TG9662HN-X/400-450MHz	400-450	0.8	40	1.25	100	20/100
TG9662HN-X/400-470MHz	400-470	0.8	40	1.25	100	20/100
TG9662HN-X/400-500MHz	400-500	1.0	38	1.25	100	20/100
TG9662HN-X/410-460MHz	410-460	0.8	40	1.25	100	20/100
TG9662HN-X/420-430MHz	420-430	0.6	50	1.15	100	20/100
TG9662HN-X/420-450MHz	420-450	0.6	46	1.20	100	20/100
TG9662HN-X/420-480MHz	420-480	0.8	40	1.25	100	20/100



Model No. (X=1: →Clockwise) (X=2: ←Anticlockwise)	Freq. Range MHz	IL. dB (max)	Isolation dB (min)	VSWR	Forward Power CW	Reverse Power W
TG9662HN-X/430-440MHz	430-440	0.6	46	1.20	100	20/100
TG9662HN-X/430-470MHz	430-470	0.8	40	1.25	100	20/100
TG9662HN-X/440-470MHz	440-470	0.6	46	1.20	100	20/100
TG9662HN-X/450-456MHz	450-456	0.5	50	1.15	100	20/100
TG9662HN-X/450-500MHz	450-500	0.8	40	1.25	100	20/100
TG9662HN-X/450-520MHz	450-520	0.8	40	1.25	100	20/100
TG9662HN-X/450-550MHz	450-550	0.8	40	1.25	100	20/100
TG9662HN-X/455-465MHz	455-465	0.5	50	1.15	100	20/100
TG9662HN-X/459-486MHz	459-486	0.6	46	1.20	100	20/100
TG9662HN-X/470-490MHz	470-490	0.6	46	1.20	100	20/100
TG9662HN-X/470-530MHz	470-530	0.8	40	1.20	100	20/100
TG9662HN-X/470-570MHz	470-570	0.8	40	1.25	100	20/100
TG9662HN-X/470-610MHz	470-610	1.0	36	1.30	100	20/100
TG9662HN-X/475-525MHz	475-525	0.6	46	1.20	100	20/100
TG9662HN-X/495-516MHz	495-516	0.6	46	1.20	100	20/100
TG9662HN-X/500-600MHz	500-600	0.8	40	1.20	100	20/100
TG9662HN-X/500-700MHz	500-700	1.4	34	1.35	100	20/100
TG9662HN-X/570-670MHz	570-670	0.6	46	1.20	100	20/100
TG9662HN-X/580-720MHz	580-720	0.8	38	1.25	100	20/100
TG9662HN-X/600-700MHz	600-700	0.8	40	1.25	100	20/100
TG9662HN-X/600-800MHz	600-800	0.6	46	1.30	100	20/100
TG9662HN-X/670-770MHz	670-770	0.8	40	1.20	100	20/100
TG9662HN-X/690-860MHz	690-860	0.6	46	1.20	100	20/100
TG9662HN-X/700-800MHz	700-800	0.5	50	1.20	100	20/100
TG9662HN-X/700-862MHz	700-862	0.8	40	1.25	100	20/100
TG9662HN-X/700-900MHz	700-900	0.8	40	1.25	100	20/100
TG9662HN-X/703-862MHz	703-862	0.8	40	1.25	100	20/100



Model No. (X=1: →Clockwise) (X=2: ←Anticlockwise)	Freq. Range MHz	IL. dB (max)	Isolation dB (min)	VSWR	Forward Power CW	Reverse Power W
TG9662HN-X/750-950MHz	750-950	0.5	50	1.25	100	20/100
TG9662HN-X/770-860MHz	770-860	0.6	46	1.20	100	20/100
TG9662HN-X/800-1000MHz	800-1000	0.8	40	1.25	100	20/100
TG9662HN-X/854-921MHz	854-921	0.6	46	1.20	100	20/100
TG9662HN-X/860-872MHz	860-872	0.5	50	1.15	100	20/100
TG9662HN-X/862-960MHz	862-960	0.6	46	1.20	100	20/100
TG9662HN-X/900-930MHz	900-930	0.5	50	1.15	100	20/100
TG9662HN-X/900-1000MHz	900-1000	0.6	46	1.20	100	20/100
TG9662HN-X/900-1100MHz	900-1100	0.8	40	1.25	100	20/100
TG9662HN-X/900-1300MHz	900-1300	1.0	38	1.25	100	20/100
TG9662HN-X/950-1000MHz	950-1000	0.6	46	1.20	100	20/100
TG9662HN-X/950-1260MHz	950-1260	0.8	40	1.25	100	20/100
TG9662HN-X/950-1280MHz	950-1280	1.0	40	1.25	100	20/100
TG9662HN-X/950-1450MHz	950-1450	1.2	34	1.35	100	20/100
TG9662HN-X/960-1160MHz	960-1160	0.8	40	1.25	100	20/100
TG9662HN-X/960-1215MHz	960-1215	0.8	40	1.25	100	20/100
TG9662HN-X/960-1260MHz	960-1260	0.8	40	1.25	100	20/100



Reverse power 100W type

The reverse power of this figure is 100W, the specifications are shown in the table above, and the model is TG9662HN-X-100/XXX-XXXMHz

Instructions:

- 1, The isolator connector can be selected SMA, N, male and female head can be used with the user;
- 2, The reflection power is often 20W and 100W choice, the shape is the same;
- 3, Only some common frequencies in the table, can be produced according to the user's requirements;
- 4, If you do not find what you are looking for, please contact us!